



MINI CRAWLER CRANE

MC815C

Crane Capacity
17,830lb x 7.5ft
 (8.09t x 2.4m)



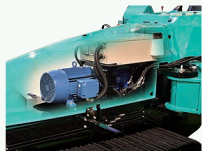
- 6 PART / 4 PART / 2 PART HOOK BLOCK
- FRONT & SIDE VIEW CAMERA
- CRANE/OR INTERLOCK
- TILT ALARM
- DIAGNOSTIC DISPLAY PANEL
- DATA LOGGER
- HOOK GROUND-TOUCH DETECTION DEVICE
- 2 SPEED FUNCTIONS
- CRANE SPEED ACCELERATOR
- PICK & CARRY



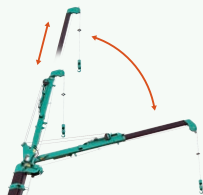
Programmable Moment Limiter (Touchscreen)



Joystick Radio Remote Control



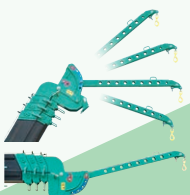
Electric Motor Power [Inverter System] (Option)



Hydraulic Fly Jib (Option)



Power Lifting Mode



Searcher Hook (Option)



Multi Outrigger Lifting Mode

Model		MC815CUS
Crane Capacity		17,830lb x 7.5ft (8.09t x 2.4m)
Max Working Radius		61.6ft x 750lb (18.8m x 0.34t)
Max Lifting Height		64.3' (19.6m) , 83.7' (25.5m) W/Fly Jib
Hook Speed		67.8 ft./min (20.6m/min) 6 Part/4th Layer
Hoist Rope		IWRC 6 x Fi(29) 10mm x 150m (492')
Boom System	Type	Automatic 5 Section, Pentagonal Telescopic
	Length	18.1' - 63.7' (5.52m - 19.40m)
	Telescopic Stroke / Speed	45.54' (13.88m) / 52.0 sec
Boom Hoist Angle / Speed		0° - 80° / 22.9 sec
Swing Radius / Speed		360° / 2.5 RPM
Travel Crawler System	Drive	Hydraulic Motor, Stepless Speed Changer
	Travel Speed	0 - 1.99 mph (0 - 3.2 km/h)
	Gradability	23° Design Limit 15° Set Limit
	Ground Pressure	7.54 PSI (52.0kPa) Diesel Model 7.68 PSI (53.0kPa) Electric Dual Power Model
Engine	Type	Yanmar 4TNV88C-NMB 4 Cycle, 4 Cylinder, Water Cooled
	Rated Output	40.9 hp / 2,500 min ⁻¹ , 41.5 ps / 2,500 RPM (30.5kW/2500 min ⁻¹)
	Fuel Tank	18.4 Gallon (70 Liters)
Electric Motor (Dual Power)	Type	Three-phase induction motor
	Size	15.0 kW, 4 poles, 200 V, 3 phase, Inverter controlled (30 - 50 Hz)
	Input (Inverter)	208 / 230 V, 50 Hz
Remote Control (wireless)		Wireless Remote Control, Travel, Outrigger & Crane Operation, Graduated Micro Speed, Load & Rated Load LCD Display
Dimensions	Stowed L x W x H	L 19'4" x W 5'6" x H 8'2" (5,900mm x 1,670mm x 2,490mm)
Net Weight		Diesel Model 20,860lb.(9,460kg) Electric Dual Power +530 lb.(+240kg)
		Fly Jib +1,090lb.(+490kg) Searcher Hook +140lb.(+60kg) Rubber pads +490lb.(+220kg)
Optional Equipment		Rubber Pads, Single Part Ball/Hook, Custom Paint Color, Searcher Hook 2,330lb (1,060kg) Fly jib 3,350lb (1,520kg) Pick and Carry 2,200lb (1,000kg)

Rated Total Load Chart

(lb)

Boom Length	MAXIMUM Outriggers, 6 Parts Line									
	18.1ft boom		29.5ft boom		40.9ft boom		52.2ft boom		63.7ft boom	
	N mode	P mode	N mode	P mode	N mode	P mode	N mode	P mode	N mode	P mode
7.5	17830	17830	14090	14090	10340	10340				
8.0	17480	17480	14090	14090	10340	10340	7470	7470		
9.5	14660	14660	14090	14090	10340	10340	7470	7470		
11.0	12700	12700	12630	12630	10340	10340	7470	7470	5270	5270
13.0	10680	10680	10700	10700	10340	10340	7470	7470	5270	5270
14.5	9450	9450	9660	9660	9370	9370	7470	7470	5270	5270
16.0	8430	8430	8620	8620	8400	8400	7470	7470	5270	5270
16.1	8370	8370	8570	8570	8350	8350	7430	7430	5270	5270
19.5			7110	7110	6880	6880	6210	6210	5270	5270
22.5			6080	6080	5860	5860	5400	5400	4520	4520
26.0			5120	5120	4680	4890	4650	4650	3770	3770
27.5			4610	4610	4270	4580	4250	4440	3560	3560
29.5					3730	4170	3730	4170	3290	3290
32.5					2920	3360	2920	3360	2880	3080
36.0					2310	2640	2310	2640	2310	2630
38.9					1960	2290	2010	2340	2010	2340
39.0							2000	2330	2000	2330
42.5							1850	2180	1850	2180
45.5							1660	1890	1660	1890
49.0							1420	1640	1420	1640
50.2							1310	1530	1370	1590
52.0									1310	1530
55.5									1100	1320
59.0									970	1190
61.6									750	970

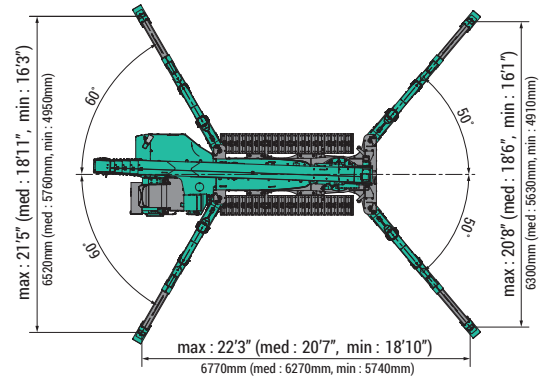
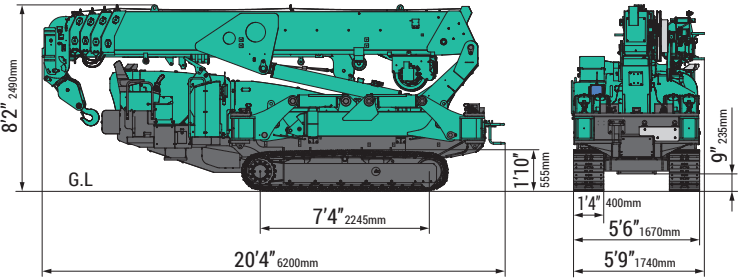
Boom Length	MEDIUM Outriggers, 6 Parts Line									
	18.1ft boom		29.5ft boom		40.9ft boom		52.2ft boom		63.7ft boom	
	N mode	P mode	N mode	P mode	N mode	P mode	N mode	P mode	N mode	P mode
7.5	13860	13860	13860	13860	10120	10120				
8.0	13860	13860	13860	13860	10120	10120	7250	7250		
9.5	13860	13860	13860	13860	10120	10120	7250	7250		
11.0	12320	12320	12320	12320	10120	10120	7250	7250	5040	5040
13.0	10240	10240	10270	10270	10120	10120	7250	7250	5040	5040
14.5	9010	9010	9220	9220	9150	9150	7250	7250	5040	5040
16.0	8200	8200	8180	8180	8180	8180	7250	7250	5040	5040
16.1	8150	8150	8130	8130	8130	8130	7210	7210	5040	5040
19.5			6670	6670	6650	6650	5990	5990	5040	5040
22.5			4880	5070	4880	4880	4800	4800	4480	4480
26.0			3790	4010	3780	3990	3780	3780	3770	3770
27.5			3290	3510	3470	3690	3470	3570	3470	3470
29.5					3070	3290	3070	3290	3070	3070
32.5					2260	2480	2260	2480	2260	2460
36.0					1750	1970	1750	1970	1750	1970
38.9					1300	1520	1360	1580	1360	1580
39.0							1350	1570	1350	1570
42.5							1090	1310	1190	1410
45.5							980	1200	1090	1310
49.0							860	1080	970	1190
50.2							760	980	930	1150
52.0									870	1090
55.5									750	880
59.0									640	750
61.6									530	640

Boom Length	MINIMUM Outriggers, 6 Parts Line									
	18.1ft boom		29.5ft boom		40.9ft boom		52.2ft boom		63.7ft boom	
	N mode	P mode	N mode	P mode	N mode	P mode	N mode	P mode	N mode	P mode
7.5	13640	13640	13640	13640	10120	10120				
8.0	13640	13640	13640	13640	10120	10120	6810	6810		
9.5	13640	13640	13640	13640	10120	10120	6810	6810		
11.0	12260	12260	12190	12190	10120	10120	6810	6810	4820	4820
13.0	10240	10240	10260	10260	10120	10120	6810	6810	4820	4820
14.5	9010	9010	8730	8730	8660	8660	6810	6810	4820	4820
16.0	6990	6990	7210	7210	7210	7210	6810	6810	4820	4820
16.1	6860	6860	7140	7140	7140	7140	6750	6750	4820	4820
19.5			4940	5150	4920	4920	4920	4920	4820	4820
22.5			3500	3720	3500	3690	3510	3510	3510	3510
26.0			2670	2890	2670	2890	2670	2870	2670	2670
27.5			2410	2630	2460	2680	2460	2660	2460	2550
29.5					2180	2400	2180	2400	2190	2400
32.5					1580	1800	1580	1800	1580	1800
36.0					1090	1310	1090	1310	1200	1420
38.9					860	1080	880	1100	1090	1310
39.0							880	1100	1090	1310
42.5							750	970	970	1190
45.5							650	870	870	1090
49.0							530	750	750	970
50.2							520	650	710	930
52.0									650	870
55.5									530	650
59.0									420	530
61.6									310	420

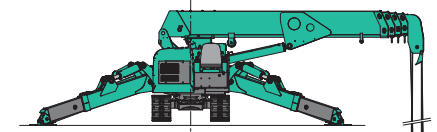
The Rated Total Load is based on the actual working radius including boom deflection. Due to wire rope strength and other limitations, when using four part, two part or single part hooks use the appropriate six part Rated Total Load Chart above but with maximum load of:

Four Part - 13,400 lb. Two Part - 6,800 lb. Single Part - 3,500 lb.

This Rated Total Load Chart is supplied for reference only. Operator and all personnel must refer to the actual crane Rated Total Load Chart to determine allowable machine lifting and operating procedures. We are constantly improving our products and reserve the right to change design and specifications at any time.



MAX. Reach Below Grade



Working Range Chart (6Parts)

